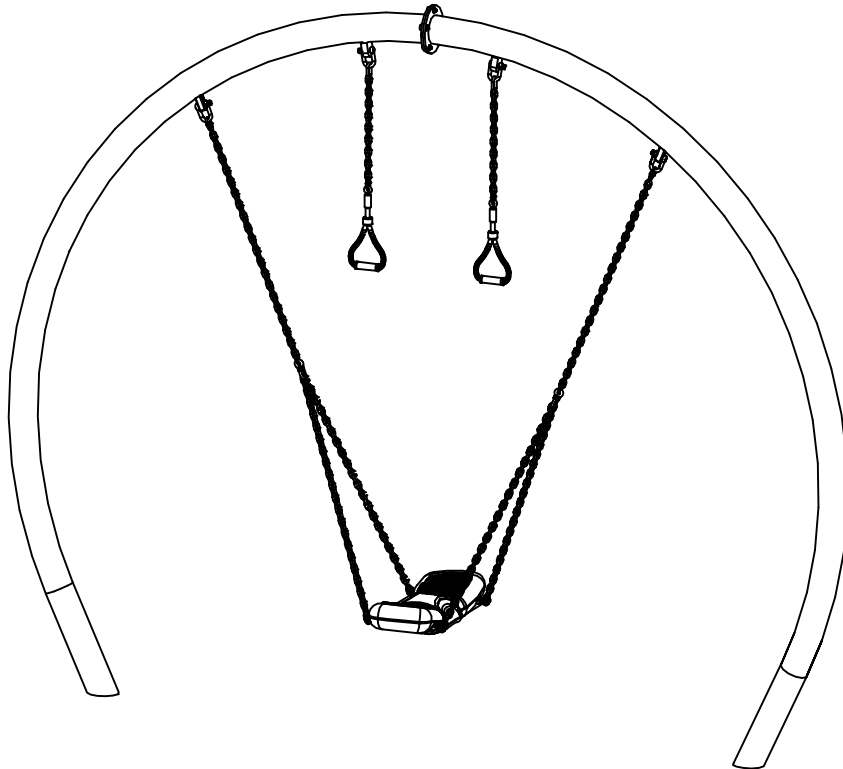
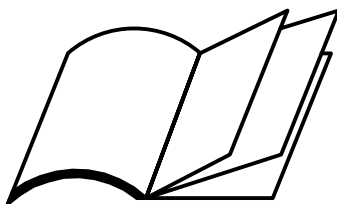


HAGS

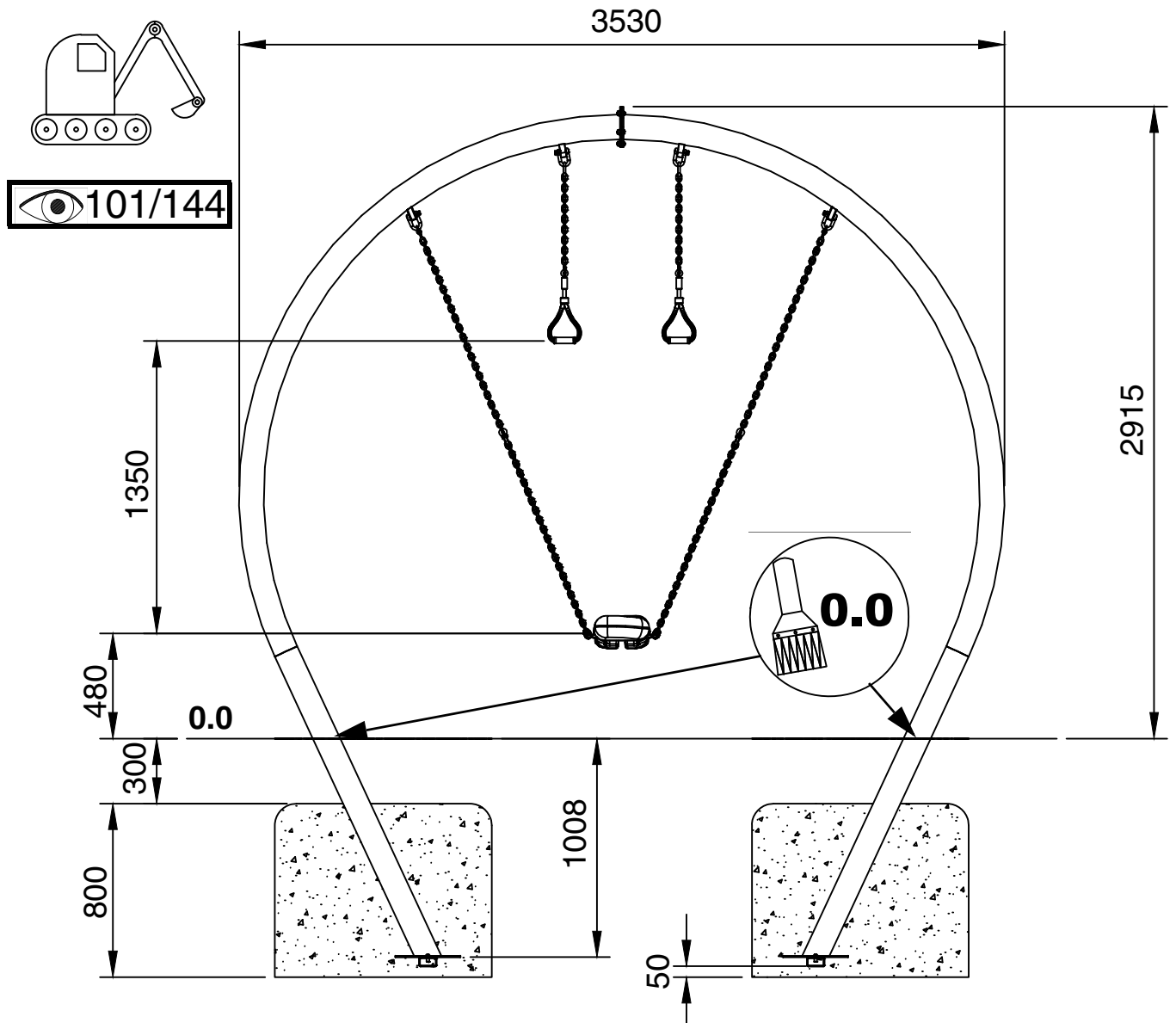
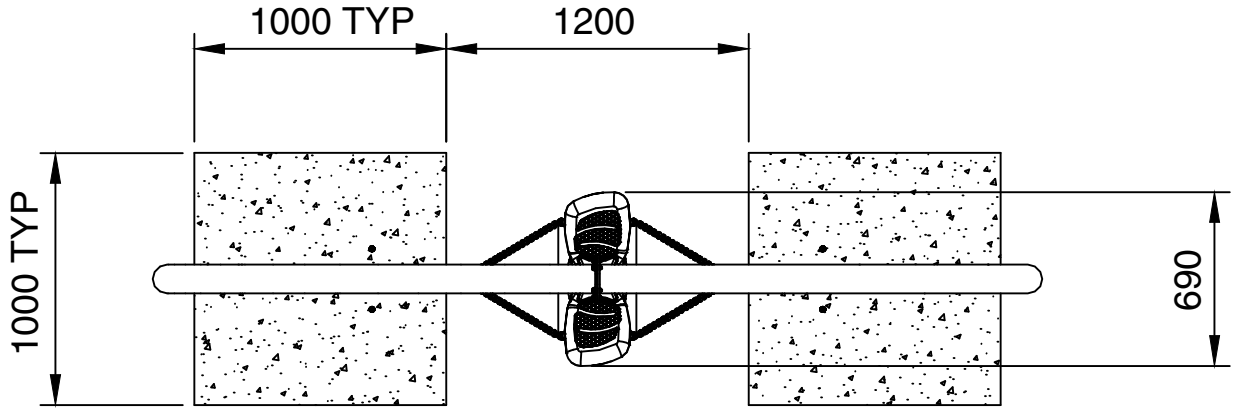
FREESTYLER

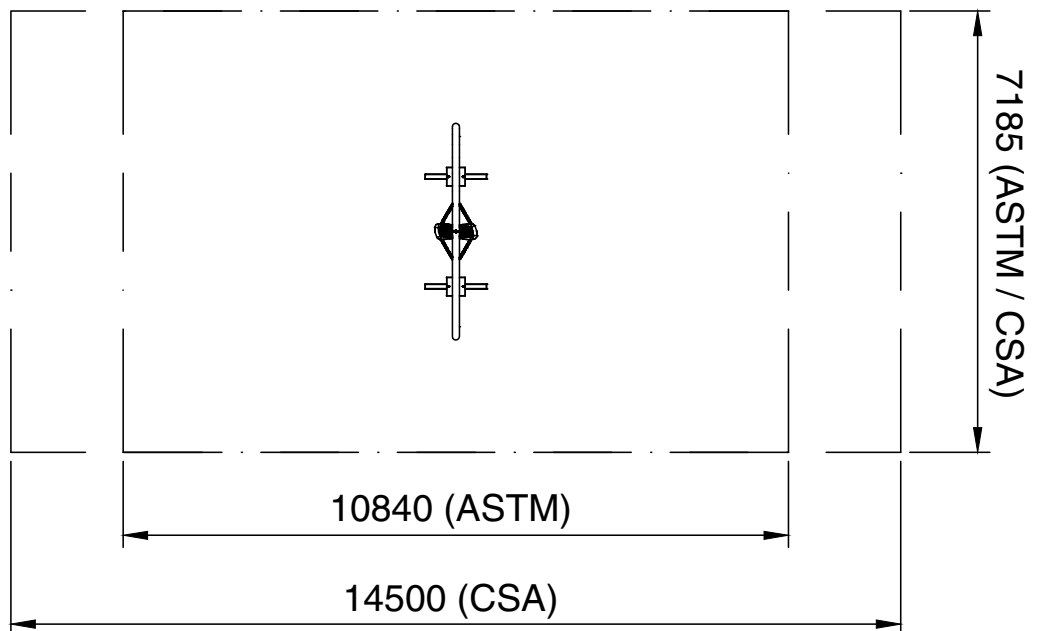
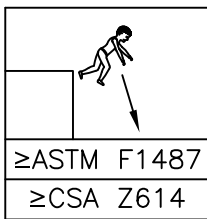
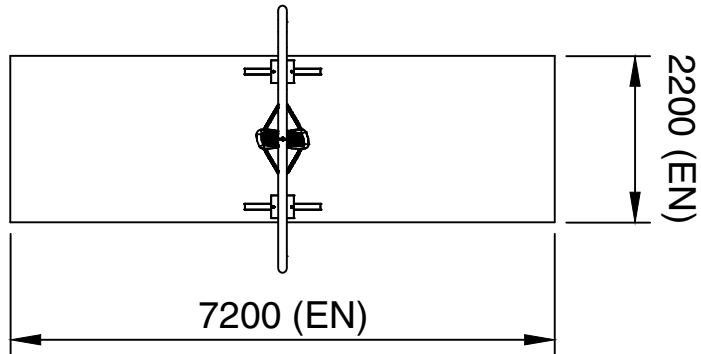
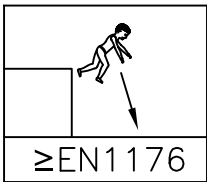
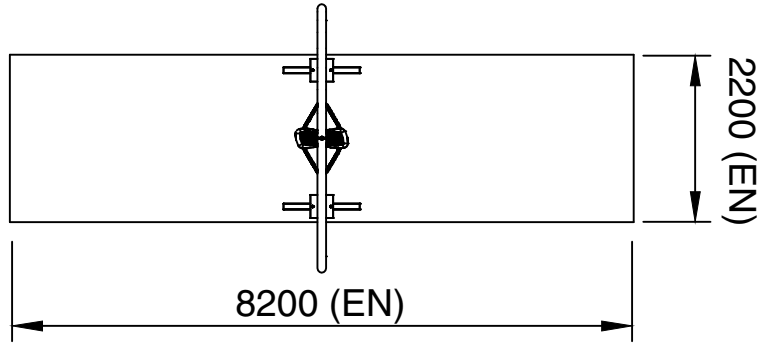
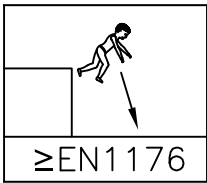
NXFRS

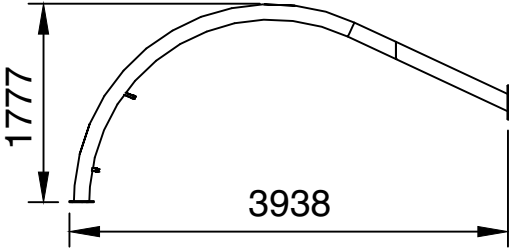
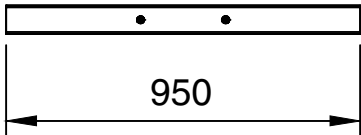
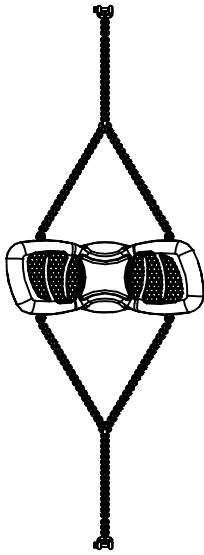

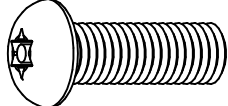
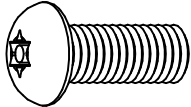


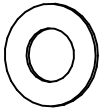
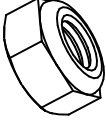
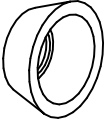
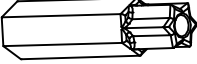
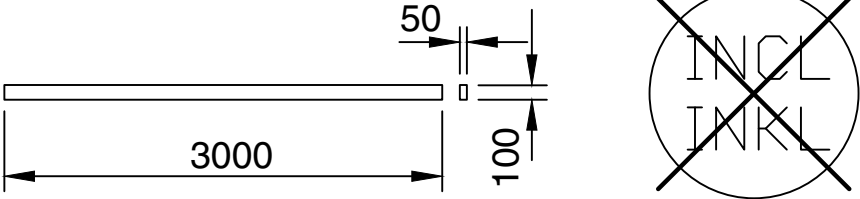


NXFRR	3.53 x 0.69 x 2.92	177.0	1.60	8.5 x 3.5	1.47	T = 9h

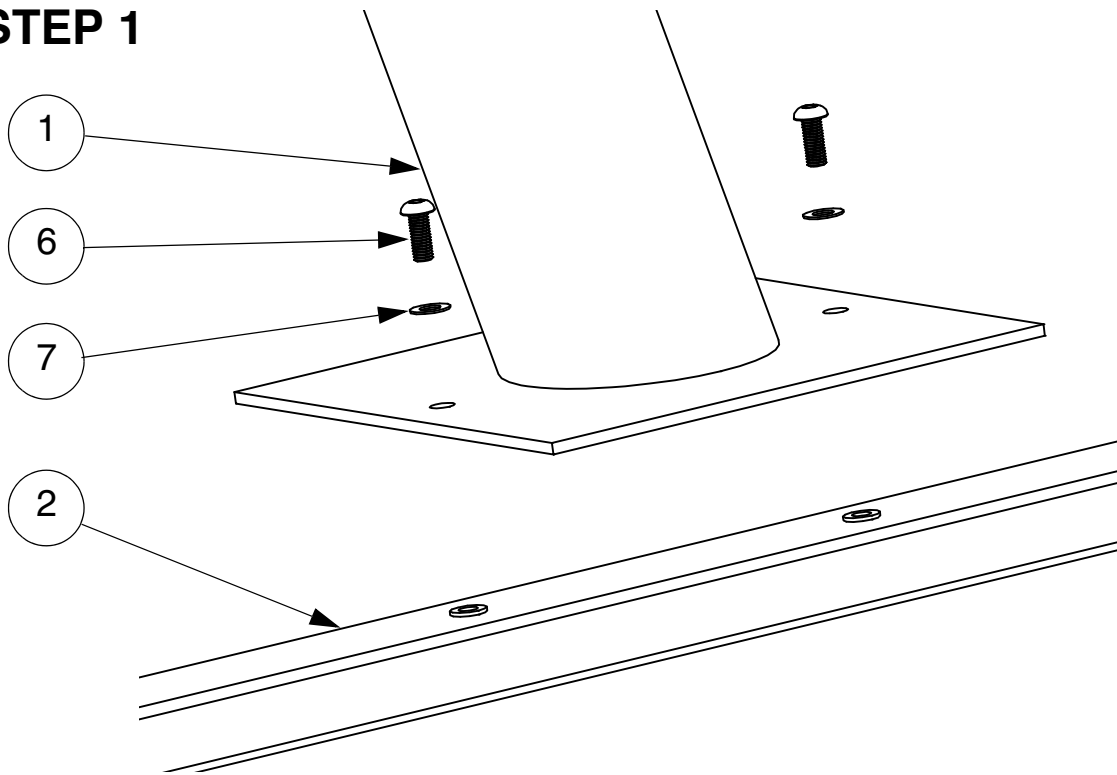




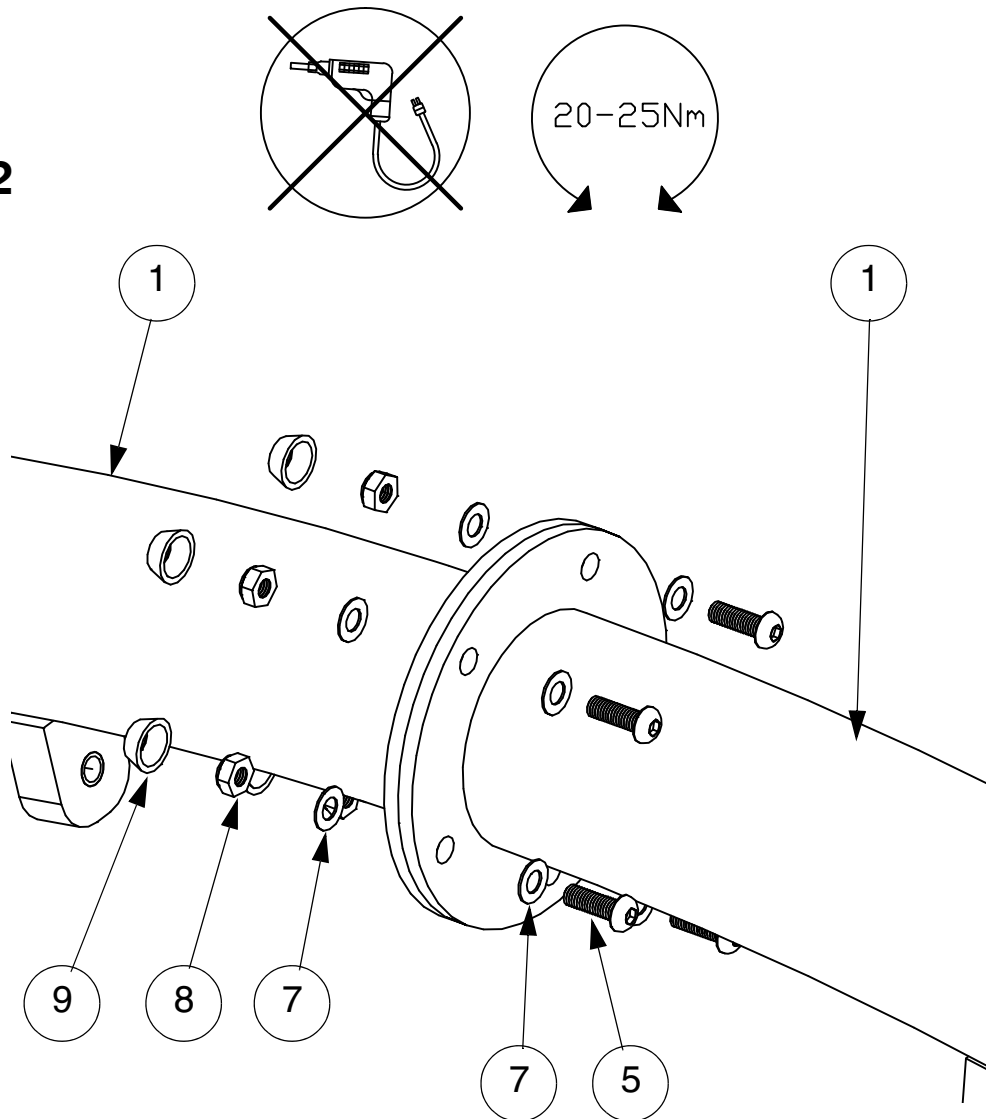
ITEM	REF.	NXFRS		kg
1	37010301A		2	74.00
2	37010302		2	5.00
3	37010102		1	16.00
4	37010100		2	1.10
5	10121030	 M10 X 30	5	0.032
6	10121025	 M10 X 25	4	0.024

ITEM	REF.	NXFRS		kg
7	10291000	 <p>M10 11X21X1</p>	14	0.002
8	10261000	 <p>M10</p>	5	0.020
9	10411000	 <p>M10</p>	5	0.020
10	10121000	 <p>T45 M10</p>	1	-
-	-		2	-

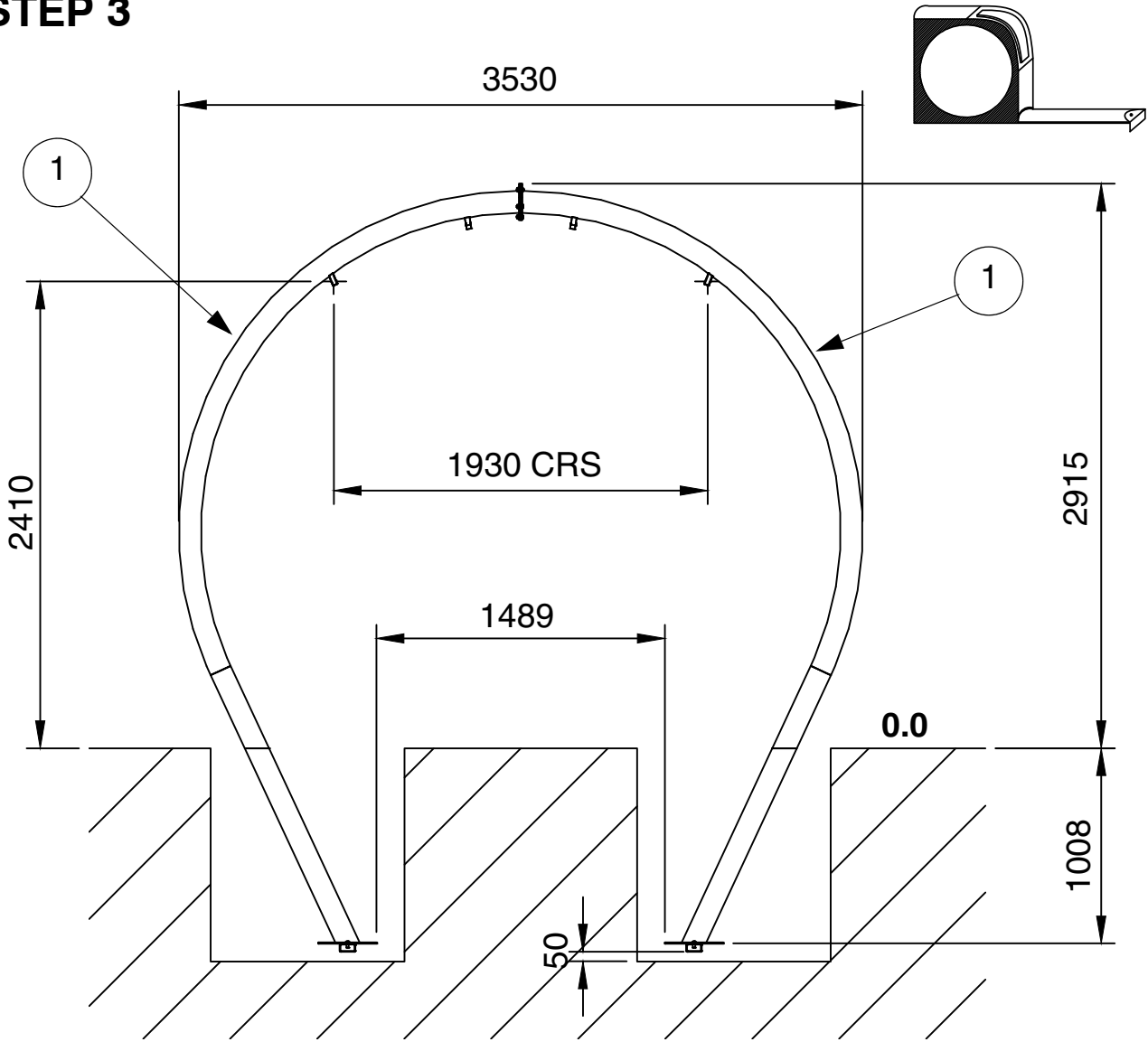
STEP 1



STEP 2

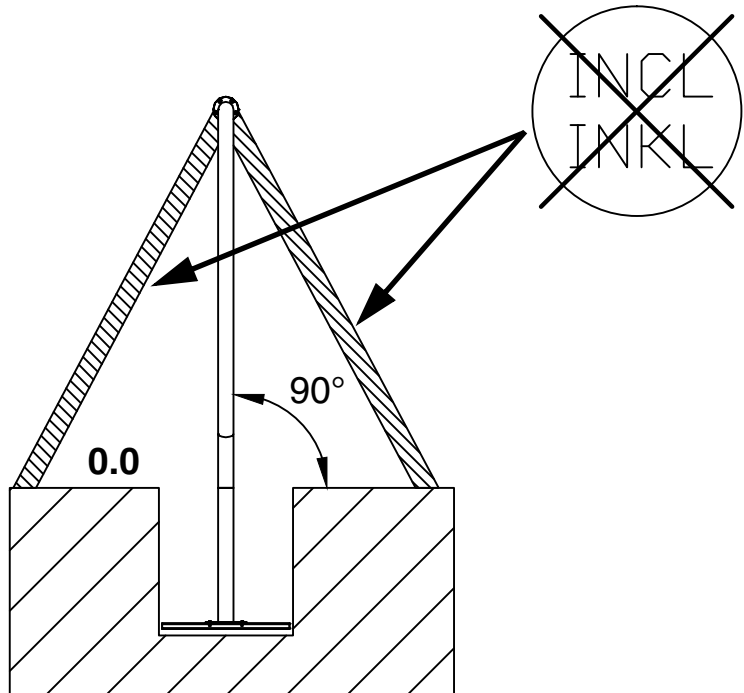


STEP 3

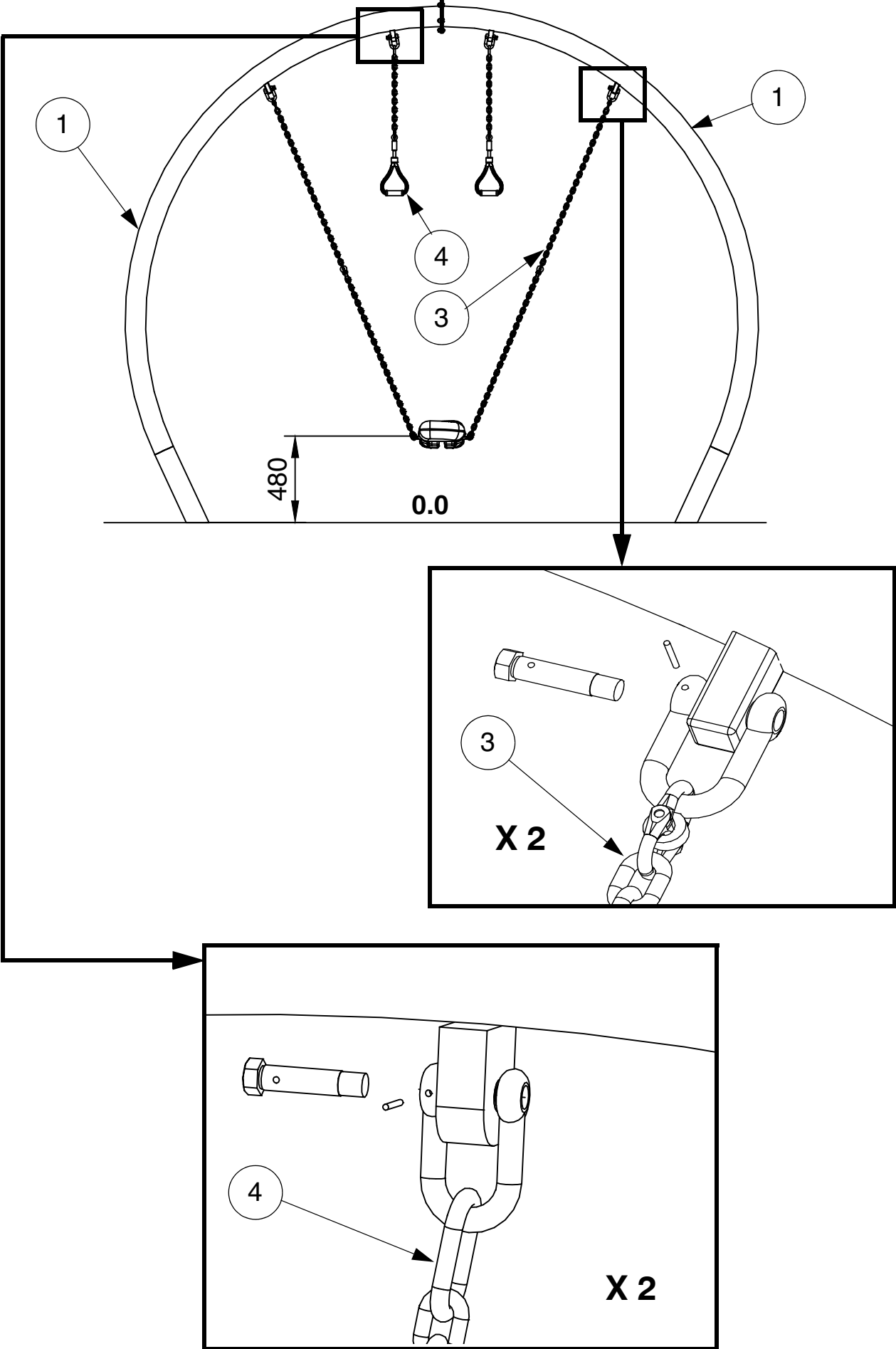


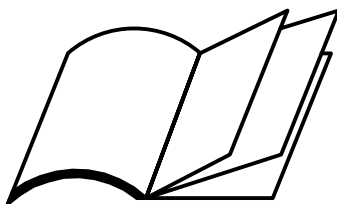
S2 (50mm)
≥C20-25
🕒 7 x 24h
👁️ 101

		3
--	--	----------



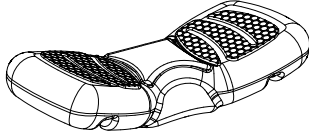
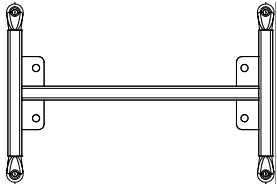

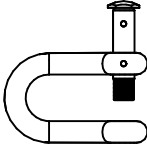

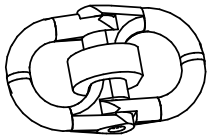
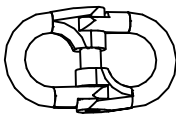
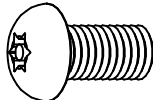
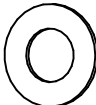
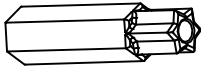
STEP 4

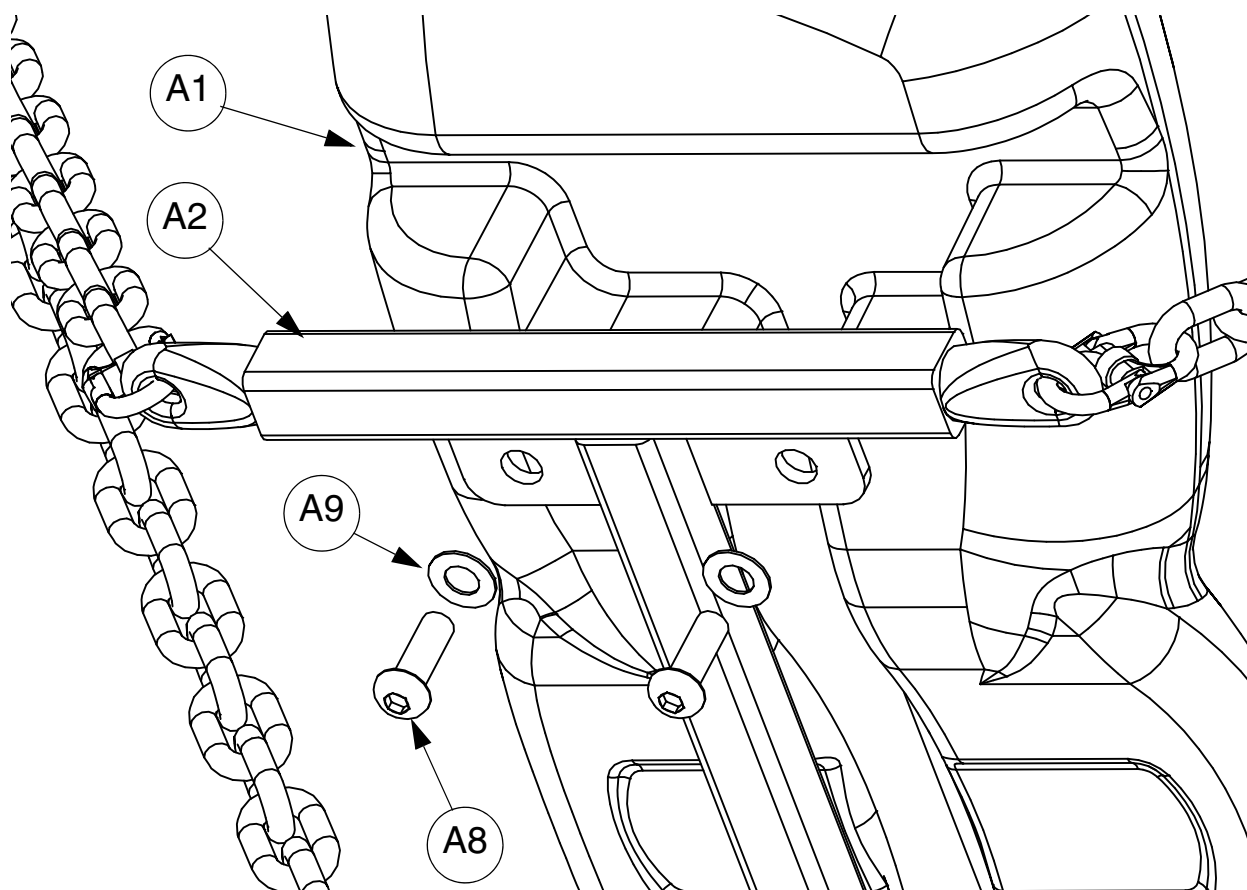


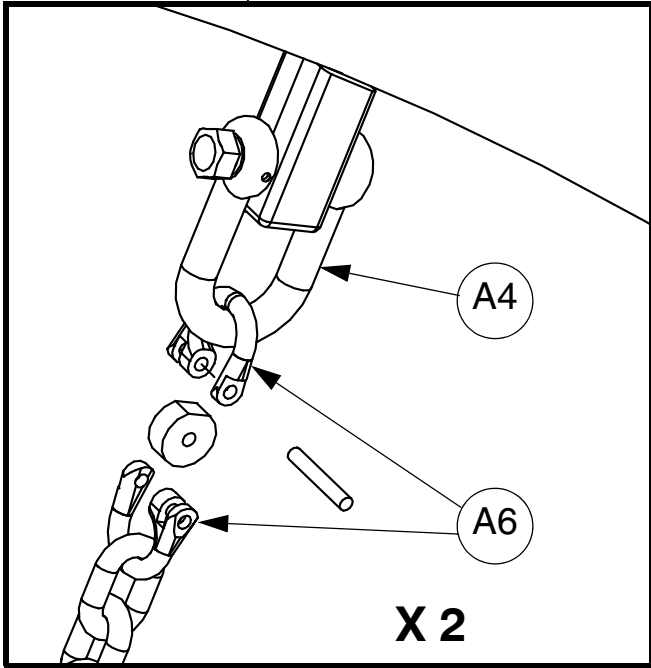
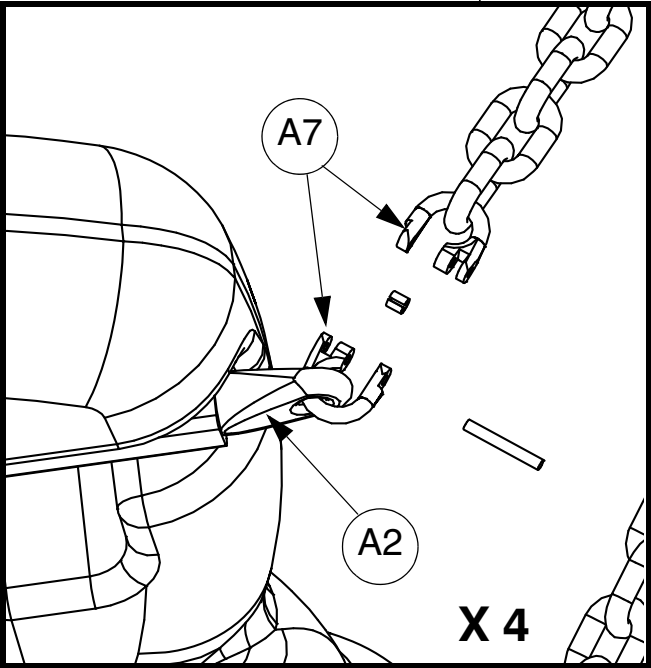
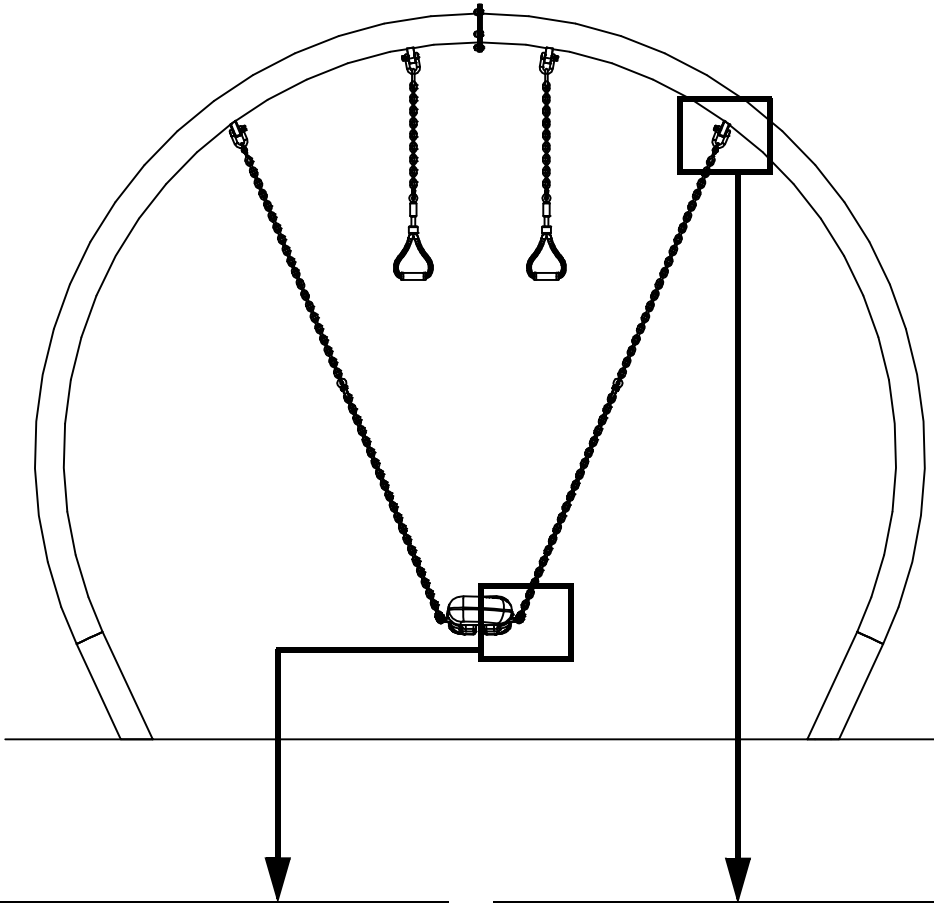


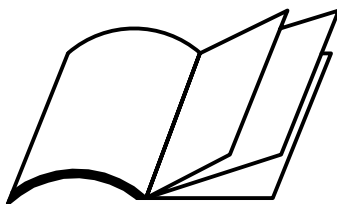
Appendix A: ‘

REF 37010102

ITEM	REF	37010102	QTY.	WEIGHT (kg)
A1	37001003B		1	3.000
A2	37001004		1	3.000
A3	37010401		2	4.50
A4	88096003		2	0.250
A5	10310325		2	0.002
A6	15716000		2	0.100
A7	15715000		4	0.100
A8	10121020	 M10 X 20	4	0.020
A9	10291000	 M10 11X21X1	4	0.002
A10	10121000	 T45 M10	1	-

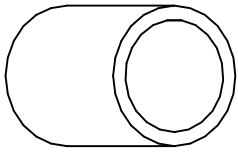
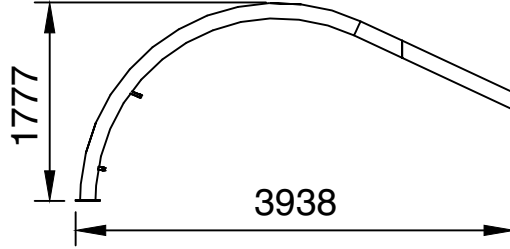


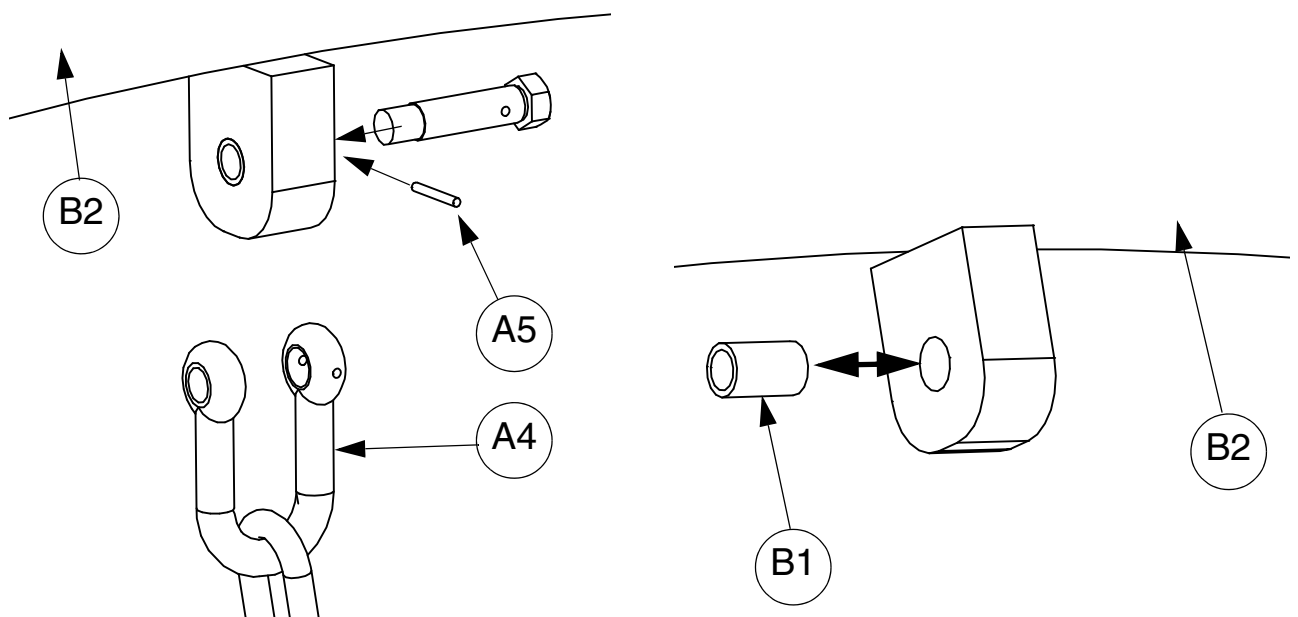
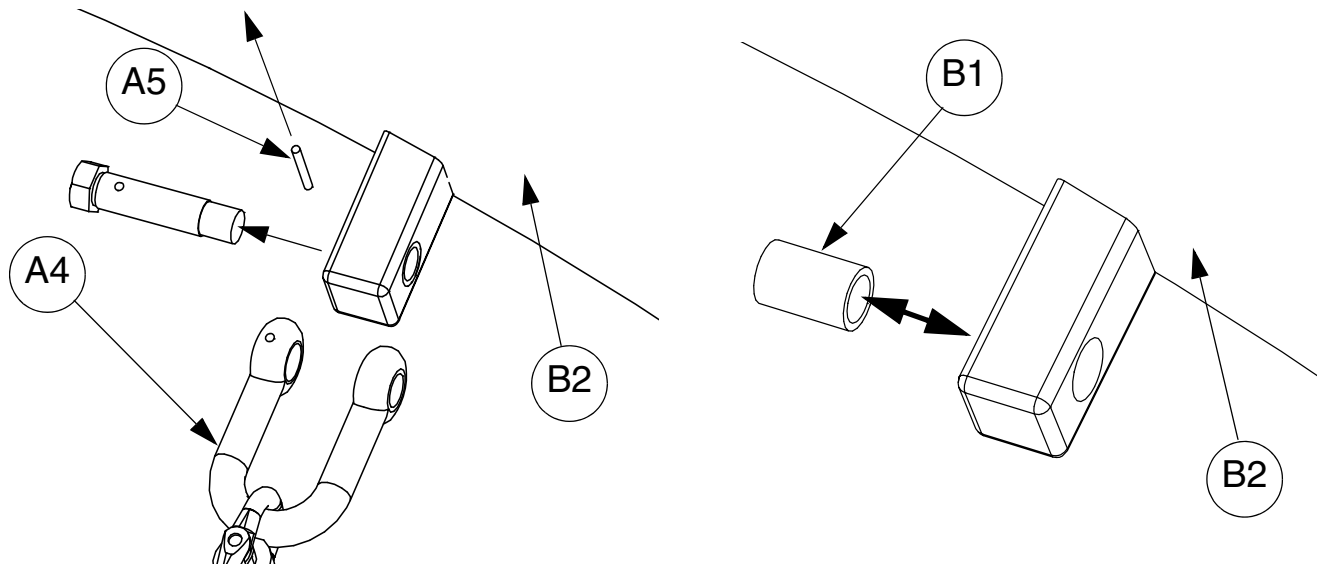


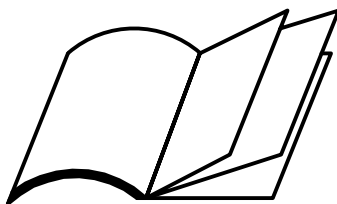


Appendix B:

REF 37010301A

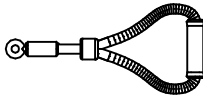

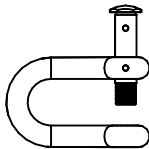

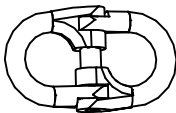
ITEM	REF		QTY.	WEIGHT (kg)
B1	15011612		2	0.002
B2	37010301		1	74.00





Appendix C:

REF 37010100

ITEM	REF	37010100	QTY.	WEIGHT (kg)
C1	37010501		1	0.50
C2	37010502		1	0.70
C3	88096003		1	0.250
C4	10310325		1	0.002
C5	15715000		1	0.100

